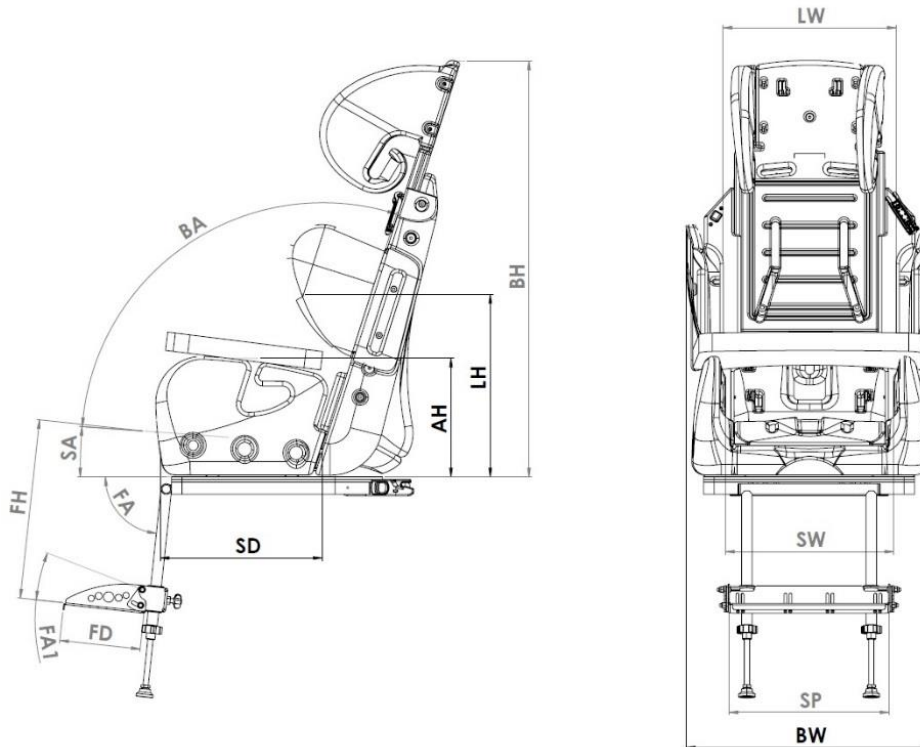




Baffin .1

Technical data



O.N.	Parametr	Symbol	[cm]
1	Seat depth	SD	29÷37
2	Seat width	SW	20÷32
3	Seat total width	BW	57÷65
4	Seat angle	SA	4°
5	Seat tilt	BA	104°
6	Back height (with the headrest)	BH	58÷77
7	Armrests height	AH	12
8	Side supports width range	LW	14÷23
9	Side supports height	LH	20÷45
10	Footrest depth	FD	15
11	Footrest width	SP	30
12	Footrest length	FH	16,5 ÷36,5
13	Footrest angle	FA	84°
14	Footrest angle adjustment	FA1	0°÷20°
15	Patient's max. weight		36kg